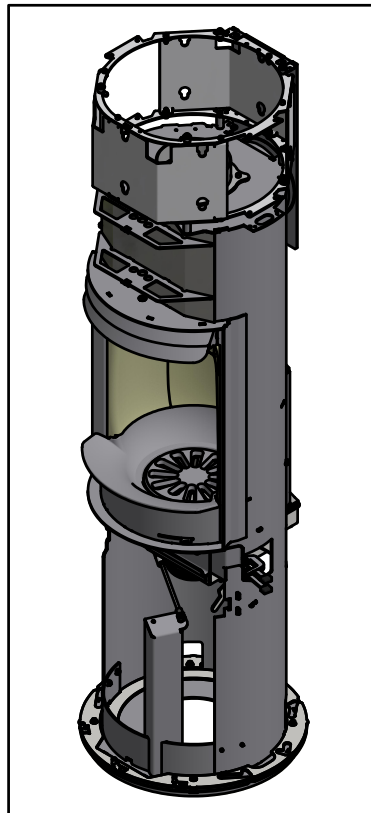
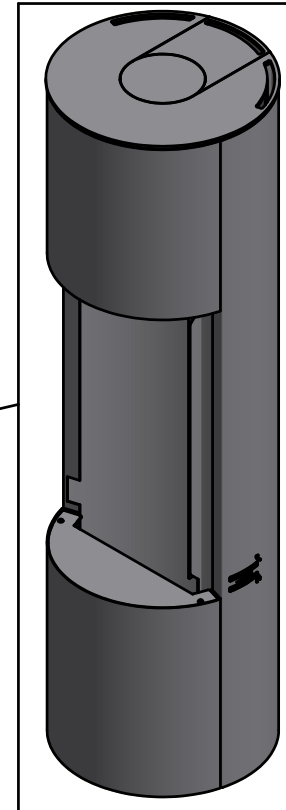


Spare parts: Scan 84, Modern maxi

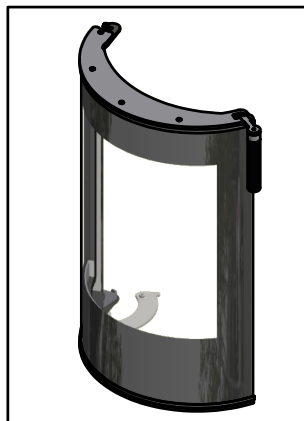
Korpus Page: 2-8



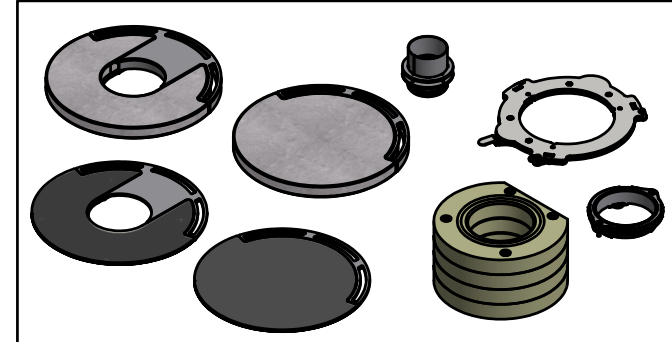
Mantle Page 10



Modern door Page: 9



Accessories Page: 11-12



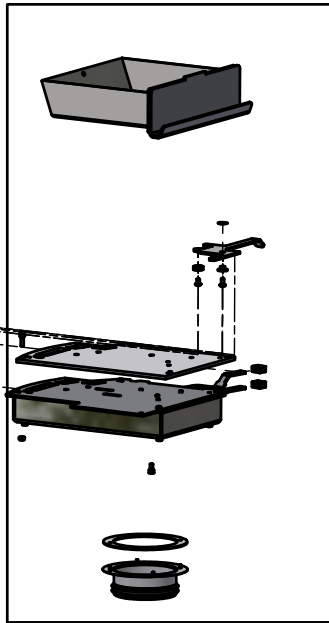
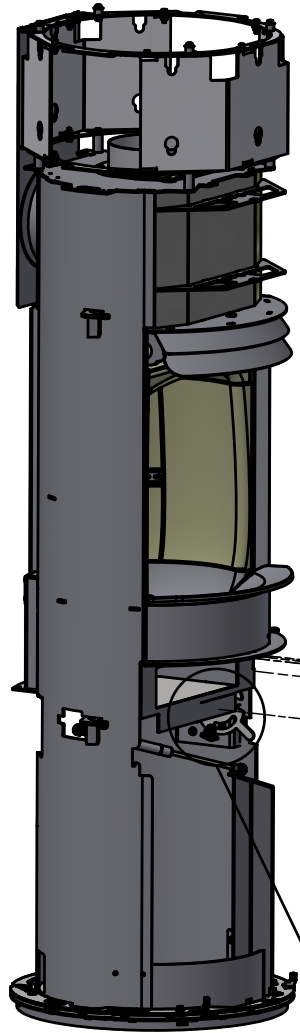
Date: 29-09-2021 Constructed /Changed by: rin/sr

Drawing number: 90184103

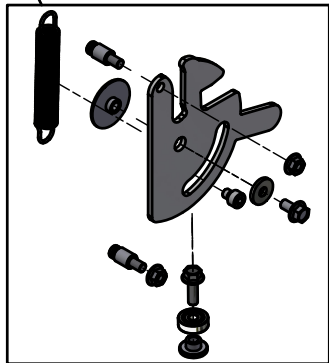
SCAN A/S
DK-5492 Vissenbjerg©



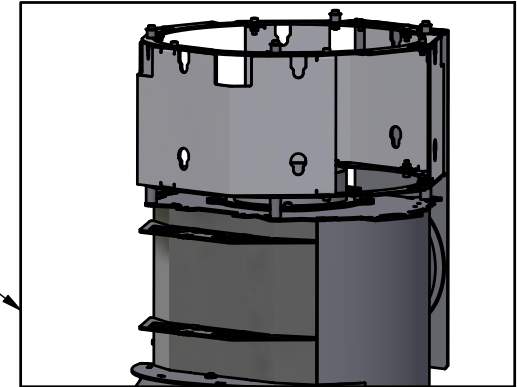
Spare parts: Scan 84, Modern maxi



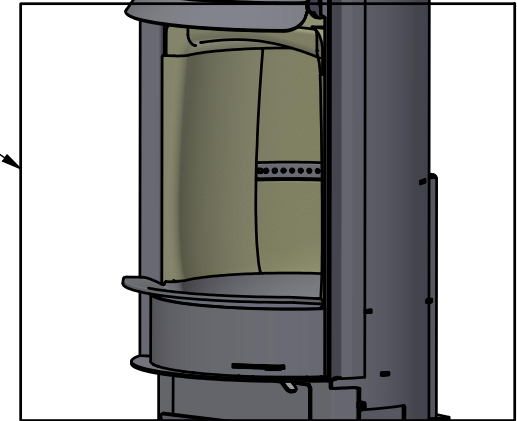
Page 3



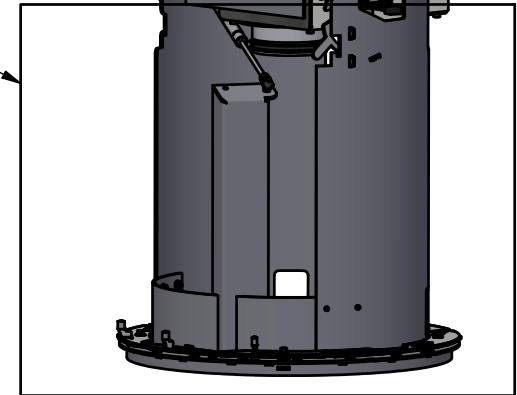
Page 4



Page 5



Page 6



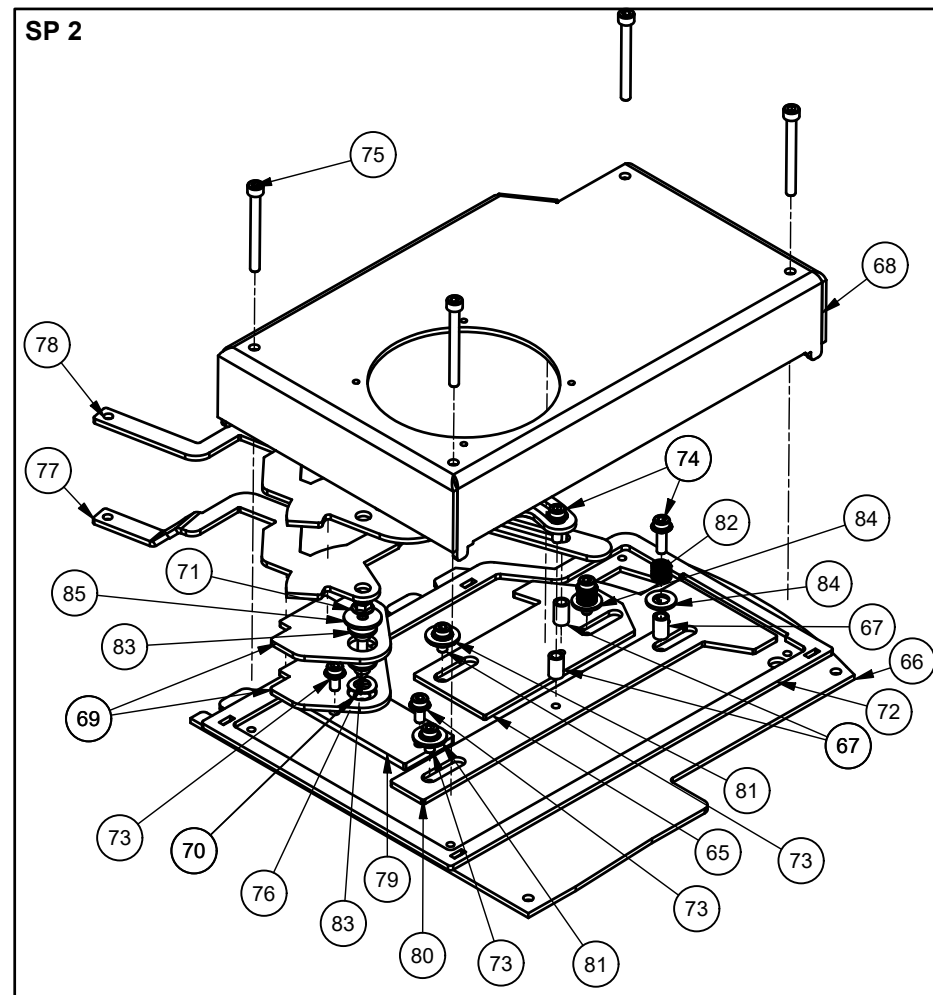
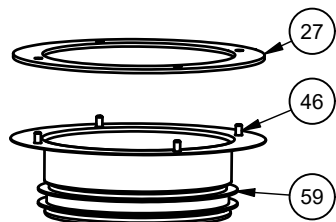
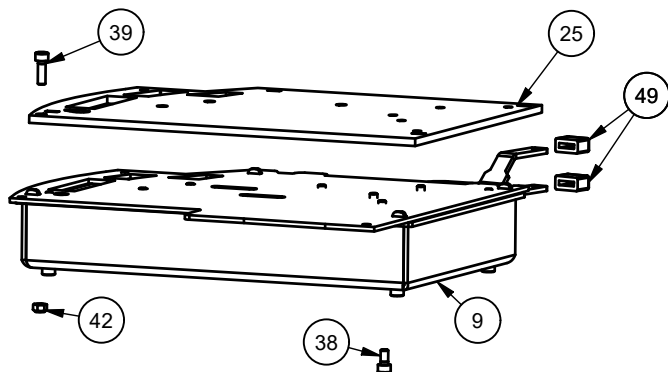
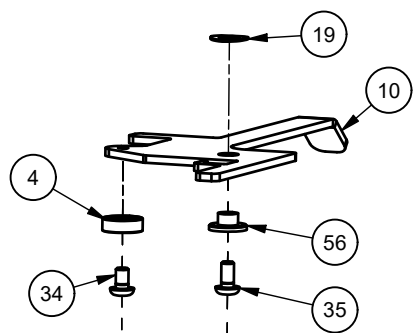
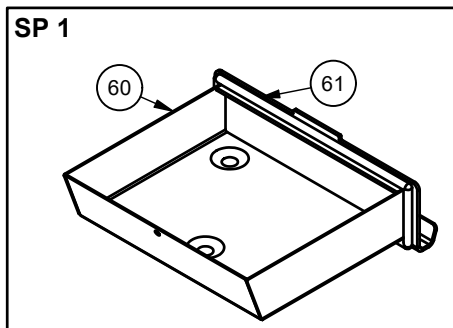
Page 7

Date: 29-09-2021	Constructed /Changed by: rin/sr
Drawing number: 90184103	

SCAN A/S
DK-5492 Vissenbjerg©



Spare parts: Scan 84, Modern maxi



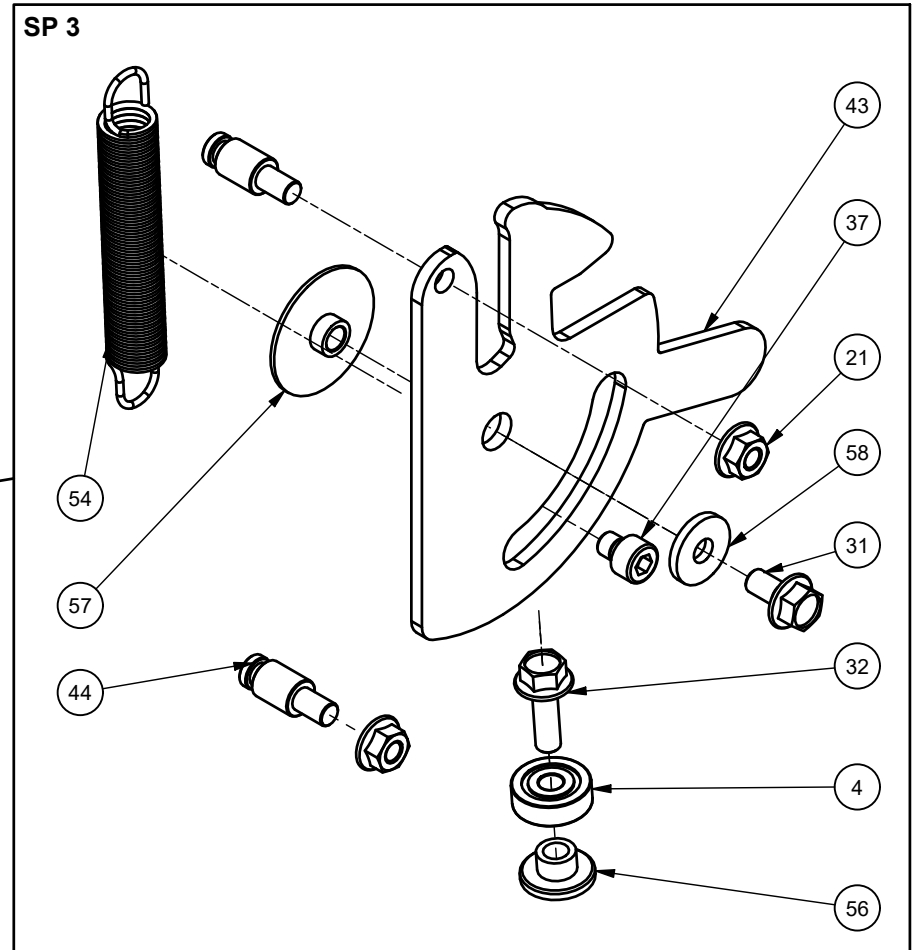
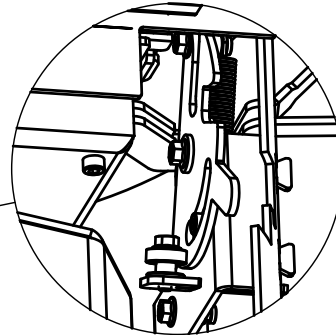
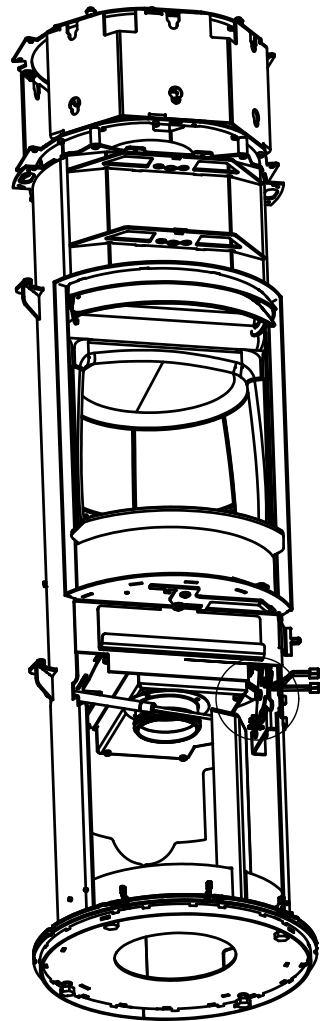
Date: 29-09-2021

Constructed /Changed by: rin/sr

Drawing number: 90184103

SCAN A/S
DK-5492 Vissenbjerg©

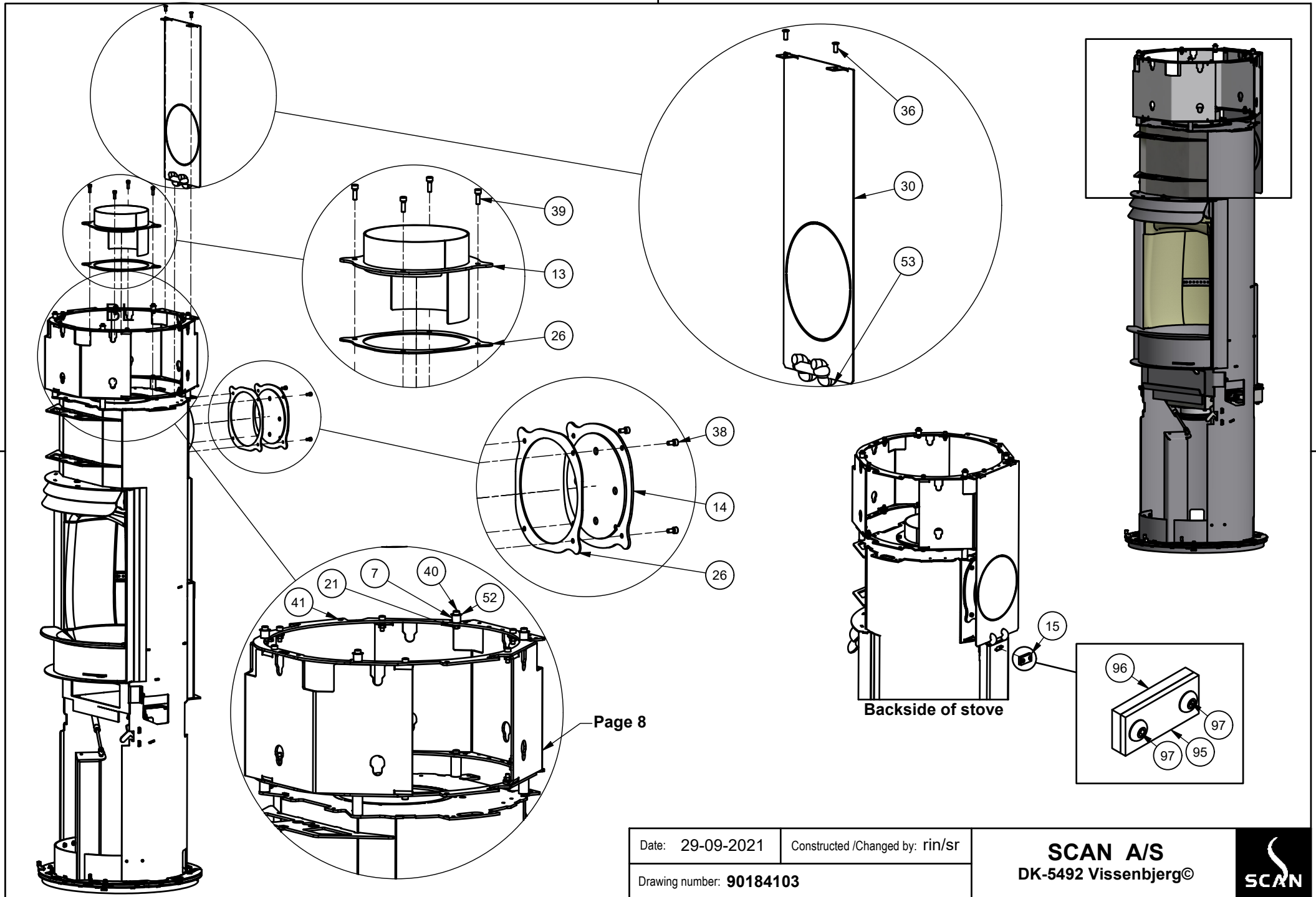




Date: 29-09-2021	Constructed /Changed by: rin/sr	SCAN A/S DK-5492 Vissenbjerg©
Drawing number: 90184103		



Spare parts: Scan 84, Modern maxi

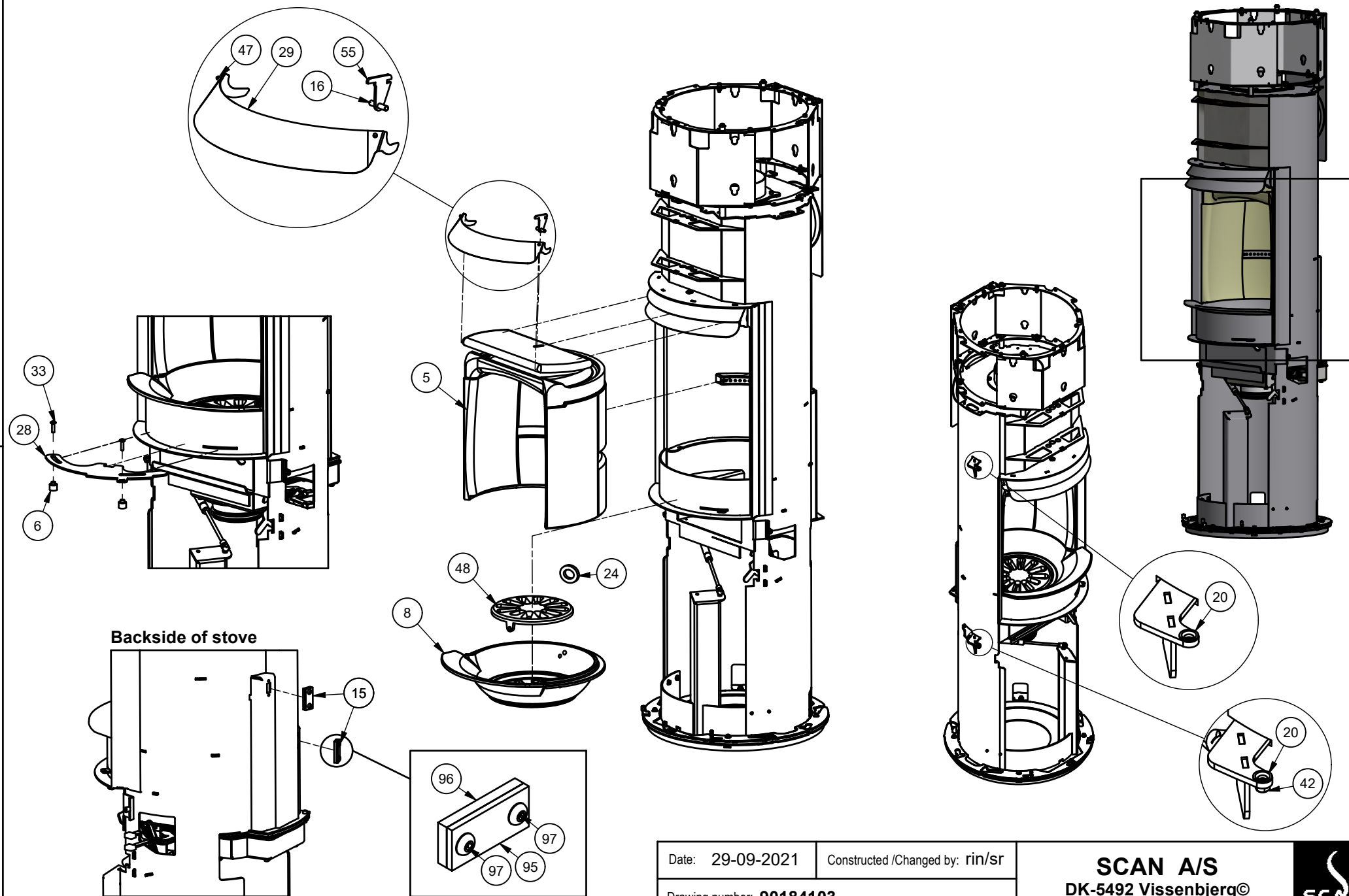


Date: 29-09-2021 Constructed /Changed by: rin/sr
 Drawing number: 90184103

SCAN A/S
 DK-5492 Vissenbjerg©



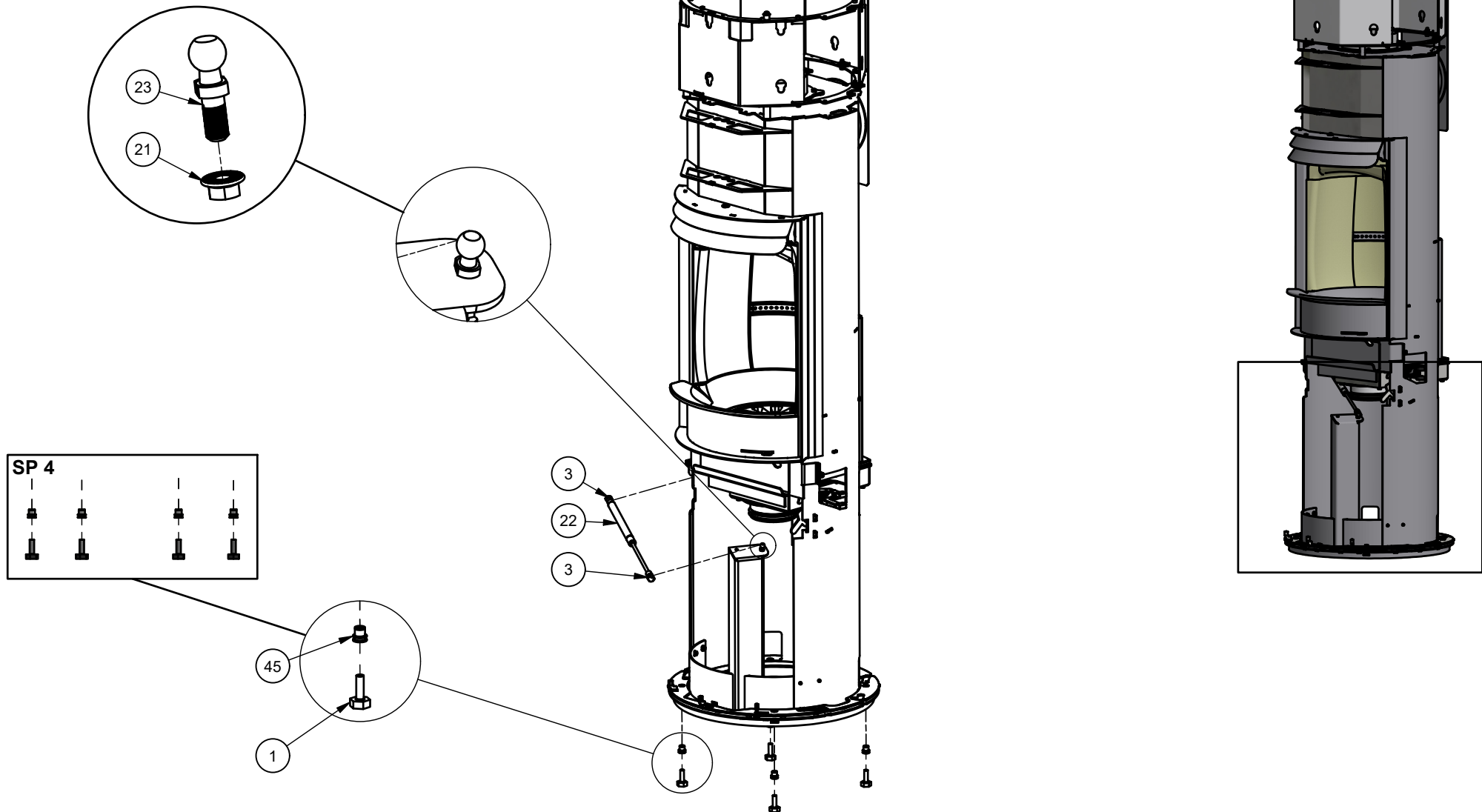
Spare parts: Scan 84, Modern maxi



Date: 29-09-2021	Constructed /Changed by: rin/sr	SCAN A/S DK-5492 Vissenbjerg©
Drawing number: 90184103		



Spare parts: Scan 84, Modern maxi

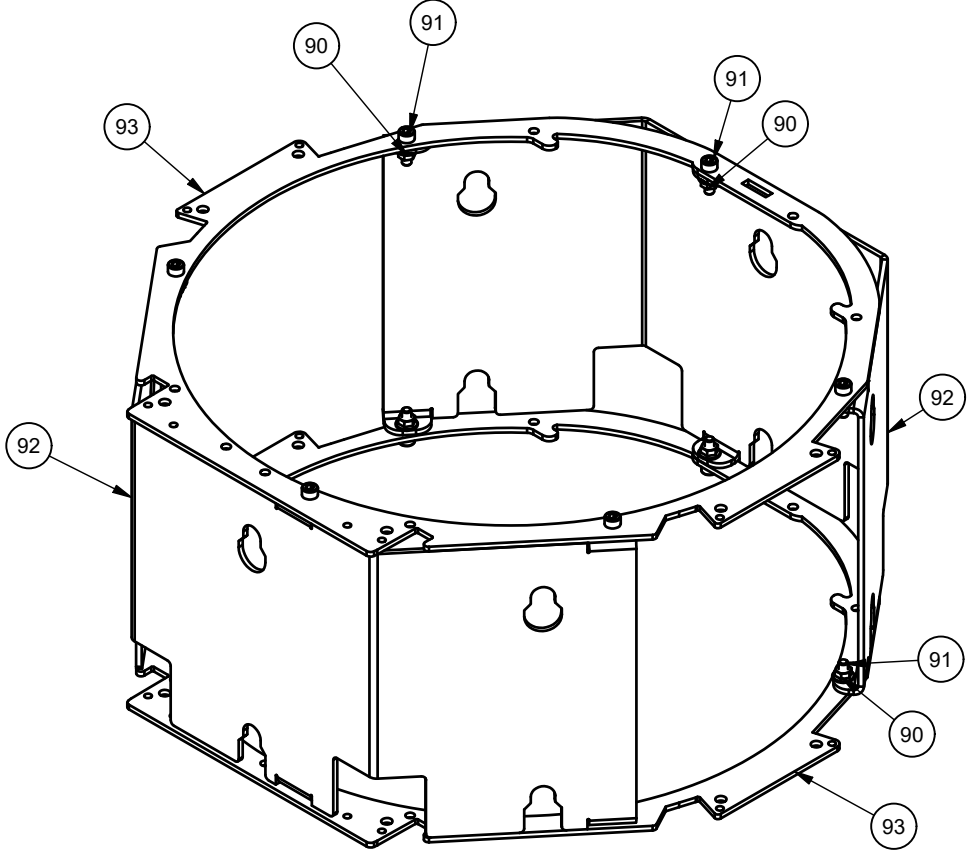


Date: 29-09-2021	Constructed /Changed by: rin/sr
Drawing number: 90184103	

SCAN A/S
DK-5492 Vissenbjerg©



Spare parts: Scan 84, Modern maxi

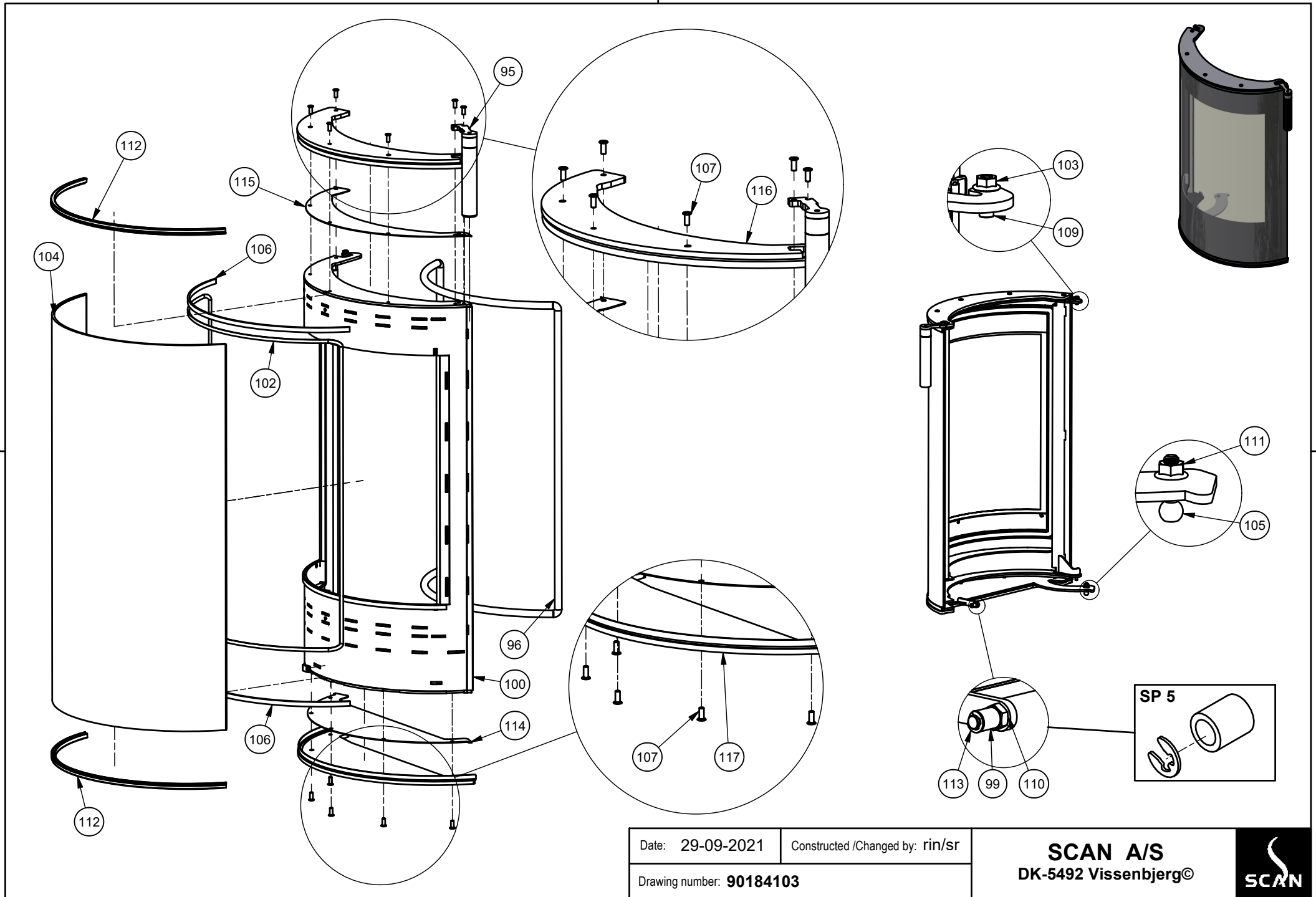


Date: 29-09-2021	Constructed /Changed by: rin/sr
Drawing number: 90184103	

SCAN A/S
DK-5492 Vissenbjerg©



Spare parts: Scan 84, Modern maxi

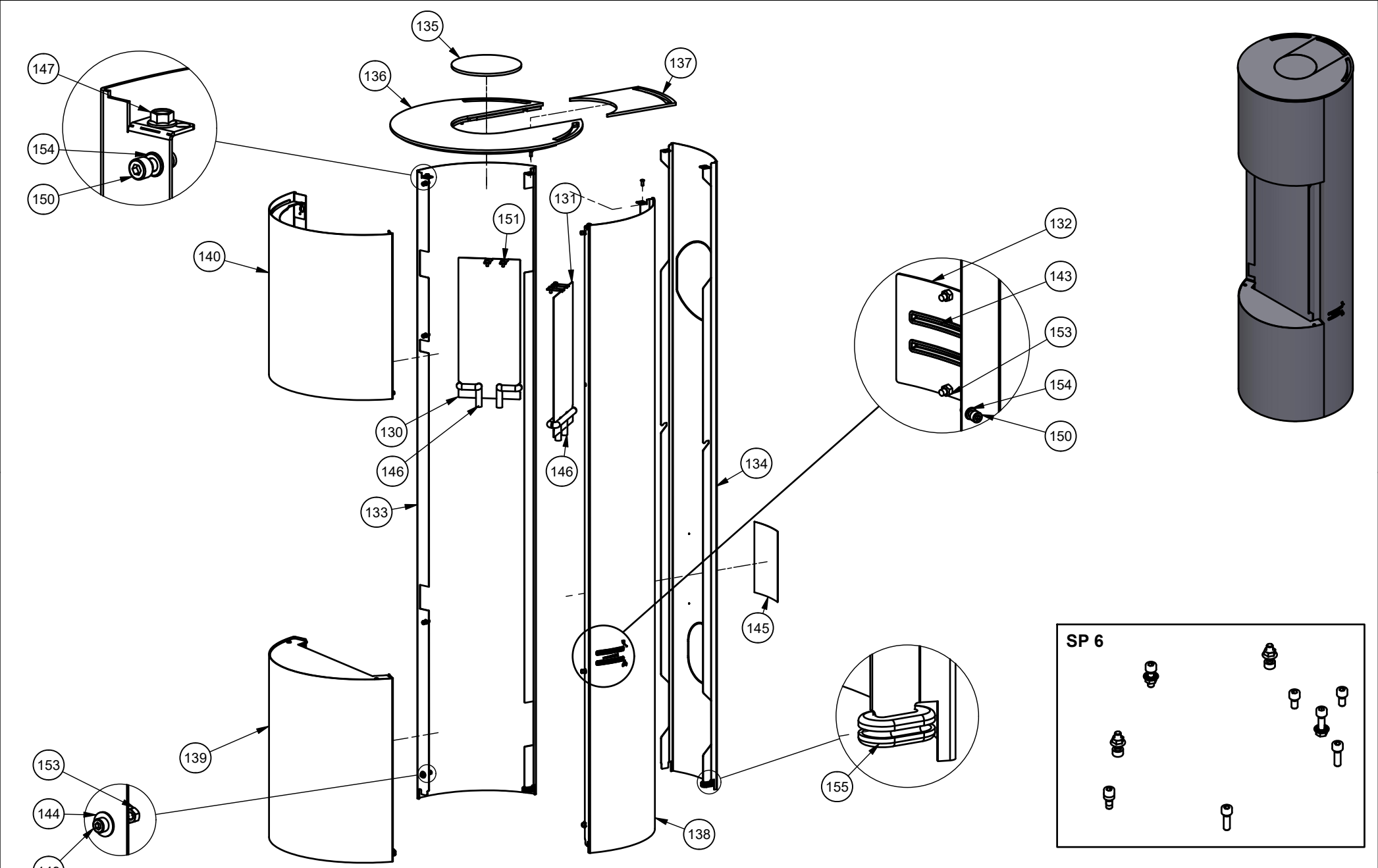


Date: 29-09-2021	Constructed /Changed by: rin/sr
Drawing number: 90184103	

SCAN A/S
DK-5492 Vissenbjerg©



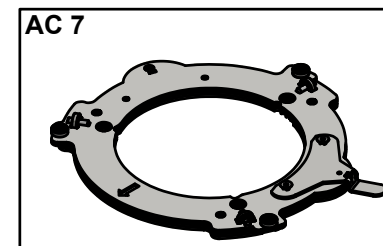
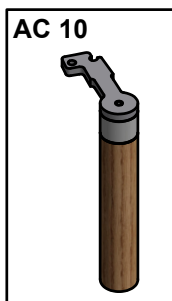
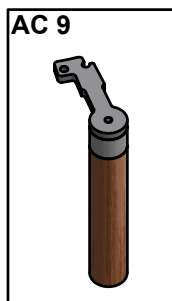
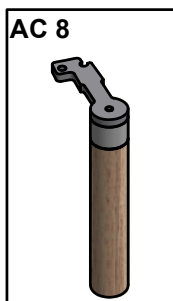
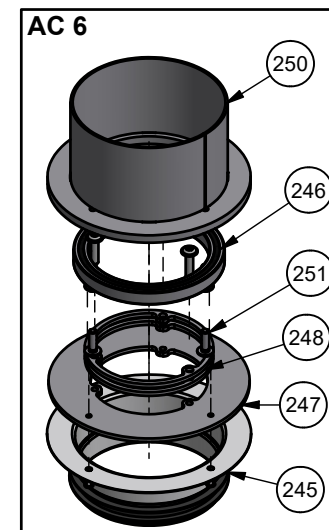
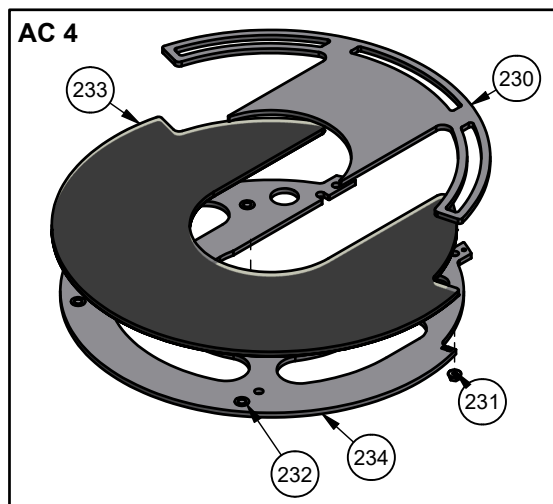
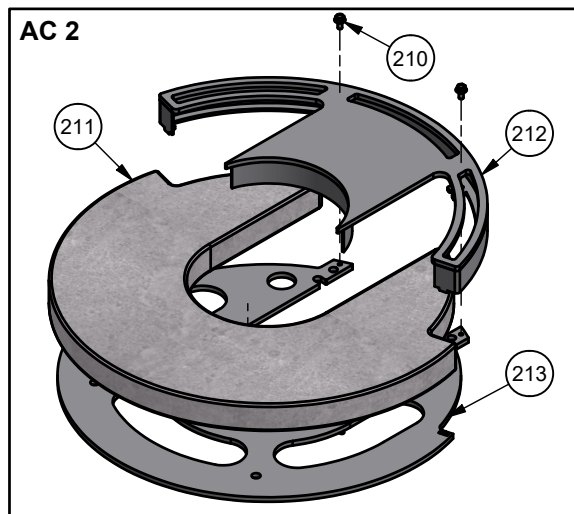
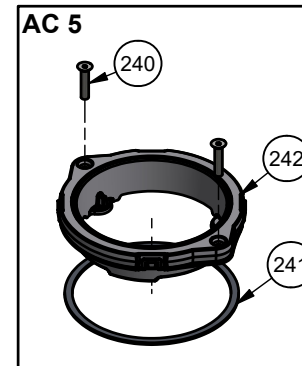
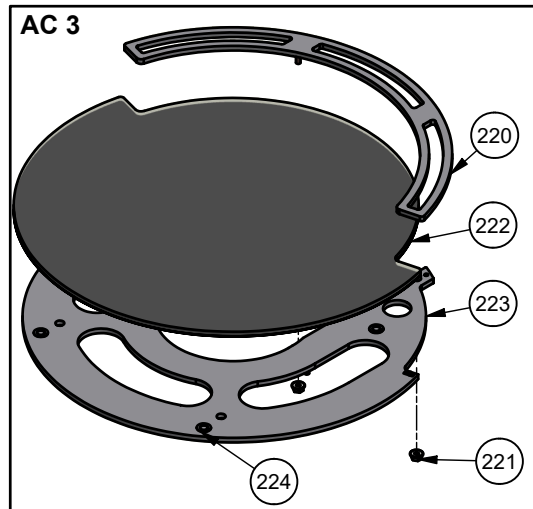
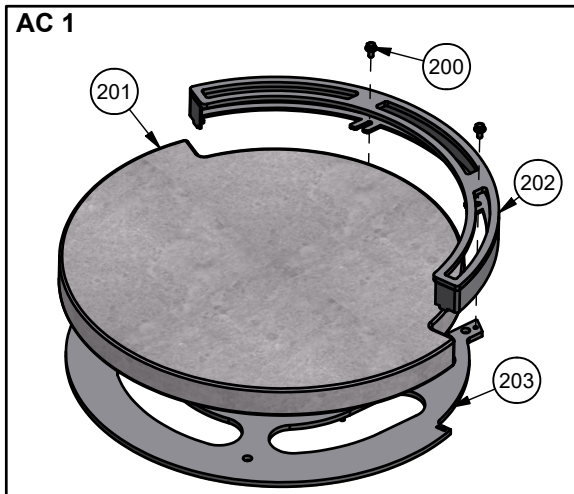
Spare parts: Scan 84, Modern maxi



Date: 29-09-2021 Constructed /Changed by: rin/sr
 Drawing number: 90184103

SCAN A/S
 DK-5492 Vissenbjerg©

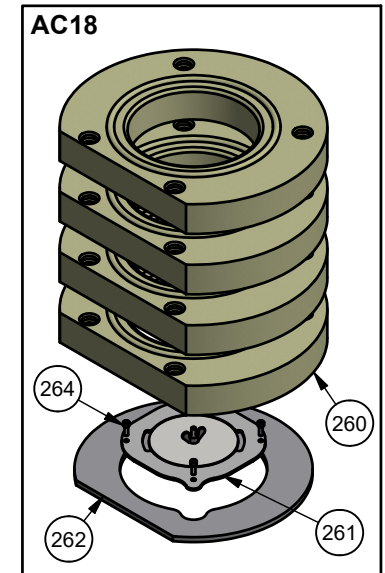
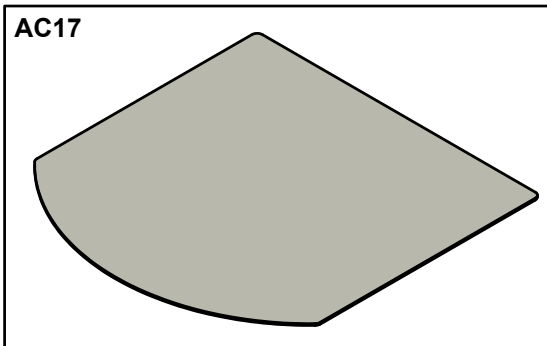
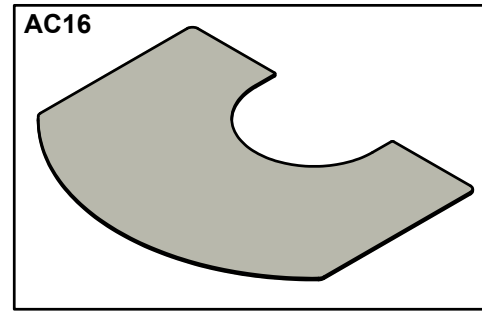
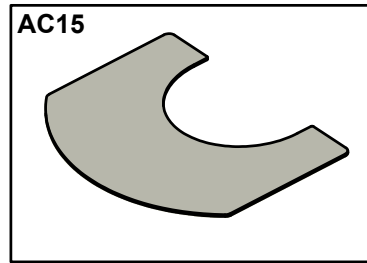
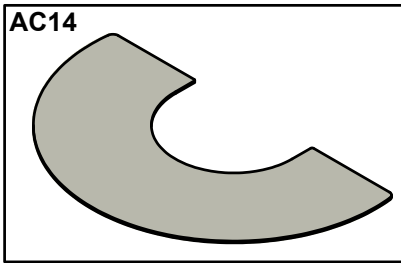
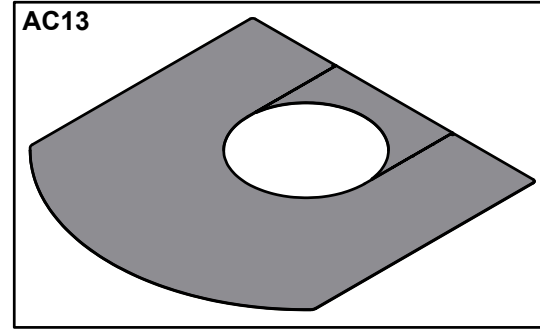
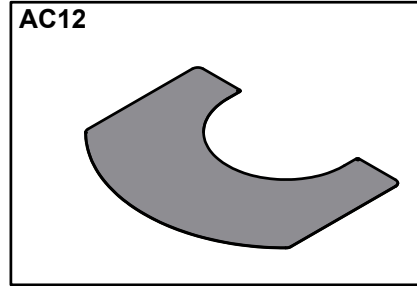
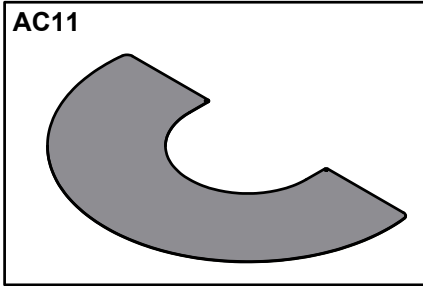




Date: 29-09-2021	Constructed /Changed by: rin/sr
Drawing number: 90184103	

SCAN A/S
DK-5492 Vissenbjerg©





Date: 29-09-2021	Constructed /Changed by: rin/sr	SCAN A/S DK-5492 Vissenbjerg©
Drawing number: 90184103		



Spare parts: Scan 84, Modern maxi

Korpus Scan 84-3/4

POS	M3 NO.	SALES NO.	DESCRIPTION	QTY
1	10045969		Adjustment screw 19x19 - M8 x 30	4
2		51046852	Ash drawer	1
3	10046005		Ball head M6, Ø10 (item nr. 4597)	2
4	10007726		Bearing, SKF 625 - 2Z/C3 (ø16xø5x5mm)	2
5		51046796	Burnchamber vermaculite	1
6	10045475		Bushing, handle for riddling grate	2
7	10059758		bushings for high version	4
8		51046797	Castiron buttom	1
9	10060387		Closed combustion box	1
10	10058191		Closing lever for ash drawer	1
11	10059986		Combustion chamber, assembly	1
12	12054891		Connecting piece for tube inside. SC 83	1
13		51046851	Conneting piece, welded	1
14		51046855	Cover for flue outlet	1
15			Cover plate for cleaning the burnchamber	3
16	10045971		Cylinder pin ø6*30, stainless steel, A2	1
17	12059474		ECO-Label, Scan 84	1
18	12060996		ECO-Label, Scan 84 UK	1
19	10004954		Fjederskive, buet, HFC 1245	1
20	10004960		Flangebushing LEPCMF 06084 B	2
21	10004953		Flangenut w. ripp M5 (DIN 6923)	7
22		51046818	Gas spring SC 83/84	1
23		51046819	Gasdamper attachment	1
24		51046914	Gasket for cast iron buttom	1
25	10045966		Gasket for combustion box, ceramic paper	1
26		51046849	Gasket for connectingpiece	2
27	10046125		Gasket for fresh air adapter	1
28	10059730		Handle for riddling grate	1
29	10046446		Heat shield for air lib	1
30	12061045		Heat shield high version	1
31	10004753		Hex head screw with flange, M5 x 10, black	1
32	10004788		Hex head screw with flange, M5 x 16, black	1
33	10004798		Hex socket button head w. flange, M5 x 20	2
34	10004791		Hex socket button head, M5 x 8 (quality 10.9)	1
35	10004783		Hex socket button head, M5 x 10	1
36	10059742		Hex socket flat head, M5 x 12, black	2

Date: 29-09-2021

Constructed /Changed by: rin/sr

Drawing number: 90184103

SCAN A/S
DK-5492 Vissenbjerg©



Spare parts: Scan 84, Modern maxi

POS	M3 NO.	SALES NO.	DESCRIPTION	QTY
37	10004805		Hex socket head cap, M5 x 6	1
38	10004816		Hex socket head cap, M5 x 10, black	9
39	10004838		Hex socket head cap, M5 x 16, black	5
40	10004815		Hex socket head cap, M5 x 20	4
41			High top assembly (soapstone)	1
42	10007642		Lock nut M5, metal	2
43	10058190		Locking device for door (dolphin)	1
44	10046276		Pin for closingspring	2
45	10045630		Popnut M8 (for sheet thickness 3,0 - 5,5 mm)	4
46	10007617		Poprivet M3,2 x 7,9	4
47	10007632		Poprivet ø4 x 8 stainless steel	2
48		51005837	Riddling grate, upper part, drilled	1
49		51061421	silicone button for damper (SH60)	2
50	20046598		Silicone tube Ø8/Ø4*11	3
51	20061015		Silicone tube Ø8/Ø4*11	1
52	10059983		Silicone washer Ø15 x 8,5 x 0,5	4
53	10043740		Sort glassnor ø14 (hård) til maxi varmeskjold	1
54		51046818	Spring (SF-DF-3438-Lesjofors)	1
55		51046847	Support piece for baffle plate	1
56	10004626		Valve holder (center) Ø8/15x4,5	2
57	10046273		Washer for dolphin lock	1
58	10007709		Washer, M5, wo. fazet FZB	1
59	10003146		ø100 Sleeve w/ flange.type ilu (99050023)	1

SP 1: Ash drawer: 51046852

POS	M3 NR.	SALES NO.	DESCRIPTION	STK
60	10058189		Welded ash tray	1
61	10004744		Black knitted glass rope, ø8	1

Date: 29-09-2021

Constructed /Changed by: rin/sr

Drawing number: 90184103

SCAN A/S
DK-5492 Vissenbjerg©



Spare parts: Scan 84, Modern maxi

SP 2: Closed combustion box: 51061491

POS	M3 NO.	SALES NO.	DESCRIPTION	QTY
65			Attachment for primary damper	1
66			Bottomplate for closed combustion box	1
67	10038025		Bushing for springloaded damper Ø7,9x12,5	4
68		51061491	Combustion box	1
69	10046122		Damper gasket SC 83	2
70	10004954		Fjederskive, buet, HFC 1245	2
71	10004953		Flangnut w. ripp M5 (DIN 6923)	1
72	10046123		Gasket for closed combustion box	1
73	10049333		Hex socket head cap w. flange, M5 x 10, black	4
74	10049335		Hex socket head cap w. flange, M5 x 16, black	4
75	10007710		Hex socket head cap, M5 x 50, FZB (DIN 912)	4
76	10046398		Pinol M5 x 25 (DIN 551/BN 427)	1
77			Primary damper	1
78			Secondary damper	1
79			Spacer for primary damper	1
80			Spacer for secondary damper	1
81	10004627		Spacer washer Ø8/18x3,3	2
82	10038031		Trykfjeder til spjæld (Di=8,3 - Lo=12 - Dt=1)	2
83	10004626		Valve holder (center) Ø8/15x4,5	2
85	10046397		Washer ø5,3/20 x 1,5 (HV140)	1
84	10008004		Washer Ø8/Ø16*1.5 (DIN 125 A)	2

SP 3: Spare part kit, Locking mechanism: 51061261

High top assembly:

POS	M3 NO.	SALES NO.	DESCRIPTION	QTY
90	10004953		Flangnut w. ripp M5 (DIN 6923)	12
91	10004838		Hex socket head cap, M5 x 16, black	12
92	12058862		Spacer for soapstone maxi	2
93	12061037		Spacer to cover parts SC 84 maxi	2

Cover plate

POS	M3 NO.	SALES NO.	DESCRIPTION	QTY
95	10058090		Cover plate	1
96	12055192		Gasket to cover plate	1
97	10004791		Hex socket button head, M5 x 8 (quality 10.9)	2

Date: 29-09-2021

Constructed /Changed by: rin/sr

Drawing number: 90184103

SCAN A/S
DK-5492 Vissenbjerg©



Spare parts: Scan 84, Modern maxi

SP 4: Spare part kit, Set with 4 screws: 51046856

Modern door - Spare part: 51061466

POS	M3 NR.	SALES NO.	DESCRIPTION	STK
95		51061380	Assembly for wood handle, black	1
96	10043740		Black cord Ø14 (hard)	1
97	10038105		black silicone 320gr	1
98	10046274		Bottom hinge pin for door	1
99	10038034		Bronze bushing, Ø6/Ø9*10	1
100	10059988		Door, welded (modern)	1
101	10048732		Fiberglass robe w. tape Ø8	1
102	10047432		Fiberglass rope Ø6 w tape	1
103	10004953		Flangenut w. ripp M5 (DIN 6923)	2
104	10059746		Frontglass	1
105		51046819	Gasdamper attachment	1
106	10007913		Glass gasket w. glue, 8x3mm, black	2
107	10059742		Hex socket flat head, M5 x 12, black	11
108	10004799		Hex socket set screws M5 x 5 (DIN 913)	1
109	10043926		Hinge pin for door	1
110	10046272		Locking pin for door	1
111	10007639		M6 FL.nut Din 6923 galvanized Steel 8	1
112	10051950		Silicone gasket for front glass	2
113	10038086		Snap ring, DIN 6799 - Ø4 from magasin	1
114	12061038		support plate door bottom	1
115	12061028		support plate door top	1
116	12061027		welded bolt for glass handle top	1
117	12061025		welded glass holder botton	1

SP 5: Spare part kit, Locking pin for door: 51049129

Mantle

POS	M3 NO.	SALES NO.	DESCRIPTION	QTY
130	12061030		Heat shield left	1
131	12061029		Heat shield right	1
132	12061039		holds plate for plastic insert	1
133		51061440	Left cover plate, maxi, BLACK PAINT	1
133		51061441	Left cover plate, maxi, GRAY PAINT	1
133		51061442	Left cover plate, maxi, WHITE PAINT	1

Date: 29-09-2021

Constructed /Changed by: rin/sr

Drawing number: 90184103

SCAN A/S
DK-5492 Vissenbjerg©



Spare parts: Scan 84, Modern maxi

POS	M3 NO.	SALES NO.	DESCRIPTION	QTY
134		51061434	Back cover plate, high model, BLACK PAINT	1
134		51061435	Back cover plate, high model, GRAY PAINT	1
134		51061436	Back cover plate, high model, WHITE PAINT	1
135	12061047		Assembly, top cover for stove w. rear outlet, BLACK PAINT	1
135			Assembly, top cover for stove w. rear outlet, GRAY PAINT	1
135			Assembly, top cover for stove w. rear outlet, WHITE PAINT	1
136	12061050		Welded parts for top plate, BLACK PAINT	1
136			Welded parts for top plate, GRAY PAINT	1
136			Welded parts for top plate, WHITE PAINT	1
137	12061048		Cover plate, BLACK PAINT	1
137			Cover plate, GRAY PAINT	1
137			Cover plate, WHITE PAINT	1
138		51061443	Right coverplate, maxi welded, BLACK PAINT	1
138		51061444	Right coverplate, maxi welded, GRAY PAINT	1
138		51061445	Right coverplate, maxi welded, WHITE PAINT	1
139		51061431	Lower frontcover, maxi, assembly, BLACK PAINT	1
139		51061432	Lower frontcover, maxi, assembly, GRAY PAINT	1
139		51061433	Lower frontcover, maxi, assembly, WHITE PAINT	1
140		51061425	Upper frontcover maxi, mounted, BLACK PAINT	1
140		51061426	Upper frontcover maxi, mounted, GRAY PAINT	1
140		51061427	Upper frontcover maxi, mounted, WHITE PAINT	1
141	10059986		Combustion chamber, assembly	1
142		51046799	Cover plate for lower front mantle	1
143		51061420	Insert for damperhandles	1
144	10060929		Bushing for front cover bottom	2
145	12059473		Approval label, Scan 84	1
146	10043740		Glass gasket ø14 (hard), black	2
147	10004753		Hex head screw with flange, M5 x 10, black	2
148	10004801		Hex socket button head, M5 x 12, ISO 7380-1 steel 010.9	2
149	10004812		Hex socket head cap, M5 x 12	4
150	10004838		Hex socket head cap, M5 x 16, black	6
151	10004816		Hex socket head cap, M5 x 10, black	4
152	10059742		Hex socket flat head, M5 x 12, black	2
153	10007642		Lock nut M5, metal	4
154	10046280		Popnut M5x12,3	6
155	10045985		Rubber grommet 19/27/33/3	4

SP 6: Spare part kit, Sparepart kit Screws bolts: 51061518

Date: 29-09-2021

Constructed /Changed by: rin/sr

Drawing number: **90184103**

SCAN A/S
DK-5492 Vissenbjerg©



AC 1: Compl. Top for soapstone rear: 51061131 BLACK PAINT
Compl. Top for soapstone rear: 51061499 GRAY PAINT
Compl. Top for soapstone rear: 51061500 WHITE PAINT

POS	M3 NO.	SALES NO.	DESCRIPTION	QTY
200	10004753		Hex head screw with flange, M5 x 10, black	2
201	50060392		soapstone top for rear exit	1
202	12061138		Soapstone top, back exit welded	1
203	12061135		Underlay plate for top plate, welded	1

AC 2: Compl. Top for soapstone top outlet: 51061134 BLACK PAINT
Compl. Top for soapstone top outlet: 51061505 GRAY PAINT
Compl. Top for soapstone top outlet: 51061506 WHITE PAINT

210	10004753		Hex head screw with flange, M5 x 10, black	2
211	50060391		soapstone top	1
212	12061139		Soapstone top, top exit welded	1
213	12061135		Underlay plate for top plate, welded	1

AC 3: Compl. Topplate for glass rear: 51061132 BLACK PAINT
Compl. Topplate for glass rear: 51061501 GRAY PAINT
Compl. Topplate for glass rear: 51061502 WHITE PAINT

220	12061137		bolt welded top, back exit	1
221	10007639		M6 FL.nut Din 6923 galvanized Steel 8	2
222	10059991		W.glass rear top	1
223	12061135		Underlay plate for top plate, welded	1
224	10059983		Silicone washer Ø15 x 8,5 x 0,5	4

AC 4: Compl. Topplate for glass top outlet: 51061133 BLACK PAINT
Compl. Topplate for glass top outlet: 51061503 GRAY PAINT
Compl. Topplate for glass top outlet: 51061504 WHITE PAINT

230	12061136		bolt welded top exit plate	1
231	10007639		M6 FL.nut Din 6923 galvanized Steel 8	2
232	10059983		Silicone washer Ø15 x 8,5 x 0,5	4
233	10059992		Top plate glass	1
234	12061135		Underlay plate for top plate, welded	1

Date: 29-09-2021

Constructed /Changed by: rin/sr

Drawing number: 90184103

SCAN A/S
DK-5492 Vissenbjerg©



AC 5: Top for revolving base: 51045366

240	10023497		Hex socket flat countersunk head screw, M8x40	2
241	10025214		ROPE LD-250-2 GRAPH. W/ADHESIVE	1
242			Top for revolving base	1

AC 6: Fresh air adapter: 51061392

POS	M3 NO.	SALES NO.	DESCRIPTION	QTY
245	10003146		ø100 Sleeve w/ flange.type ilu (99050023)	1
246	10061112		Deep groove ball bearings single row with two low-friction seals SKF	1
247			Connector piece for second fresh air sleeve	1
248			Distance ring for fresh air adapter	2
249	10004798		Hex socket button head w. flange, M5 x 20	3
250			Welded parts for fresh air adapter	1
251	10004835		Hex socket button head w. flange, M5 x 16	4
252	10007617		Poprivet M3,2 x 7,9	4

AC 7:	Revolving plate	51046363
AC 8:	Wood handle, white oak	51061103
AC 9:	Wood handle, mocca oak	51061104
AC 10:	Wood handle, golden oak	51061105
AC 11:	Small shaped floor plate, steel	51046364
AC 12:	Small shaped floor plate, corner, steel	51046365
AC 13:	Large floor plate, steel	51046366
AC 14:	Small shaped floor plate, glass	50046311
AC 15:	Small shaped floor plate, corner, glass	50046315
AC 16:	Large shaped floor plate, glass	50046313
AC 17:	Large floor plate, glass	50046312

AC 18: Heat accumulating stones: 50046310

POS	M3 NO.	SALES NO.	DESCRIPTION	QTY
260			Samling af varme ak sten	1
261			Samling af dæksel i dæksel	1
262			Afstands ring til varmeakk. sten	1
263		51046849	Gasket for connectingpiece	1
264	10004838		Hex socket head cap, M5 x 16, black	4

Date: 29-09-2021

Constructed /Changed by: rin/sr

Drawing number: 90184103

SCAN A/S
DK-5492 Vissenbjerg©

