
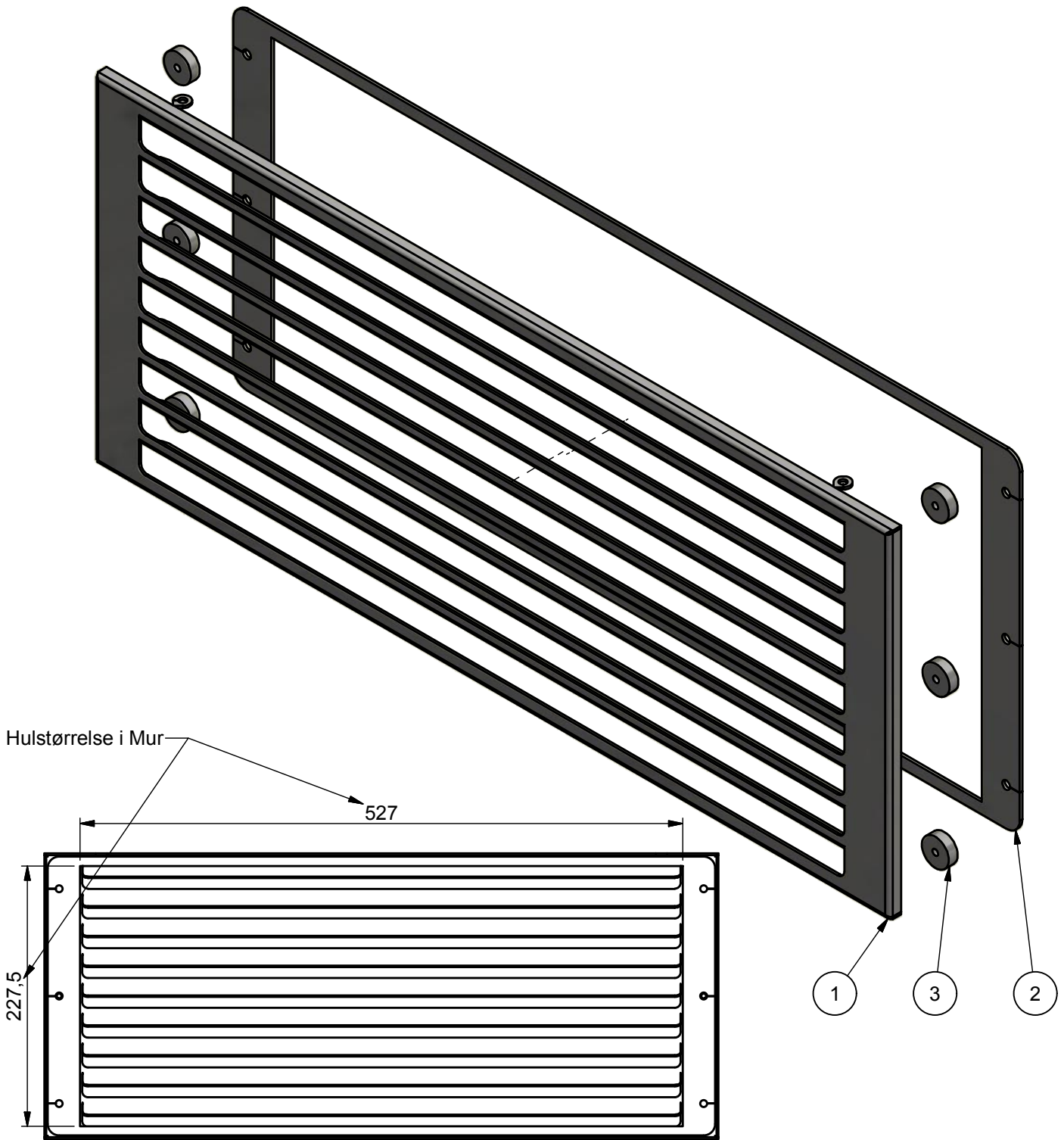


Stove: Scan 5002	Name: Brandkammersten, Scan 5002	Date: 08-02-2018	Drawing number: 95002110
Material:		Constructed/Changed by: sr	
Articlenumber: 50052734	Weight: N/A	Area: N/A	SCAN A/S DK-5492 Vissenbjerg© 
Path: C:\Working Folder\Designs\Scan 5002\95002110.idw			



STYKLISTE

POS	TEGN	BESKRIVELSE	M3 NR.	DATO	STK
1	25002001	Konvektionsrist (764 cm ²)		08-08-2017	1
2	25002002	Bagstykke til konvektionsrist		08-08-2017	1
3	96900900	Ferrit magnet	10045631	11-07-2012	6

NAVN: Scan 5002

EMNE: Komplet konvektions rist

TG.NR: 25002901

MATERIALE:

VÆGT: N/A

DATO: 18-08-2017

SIGN: jwa

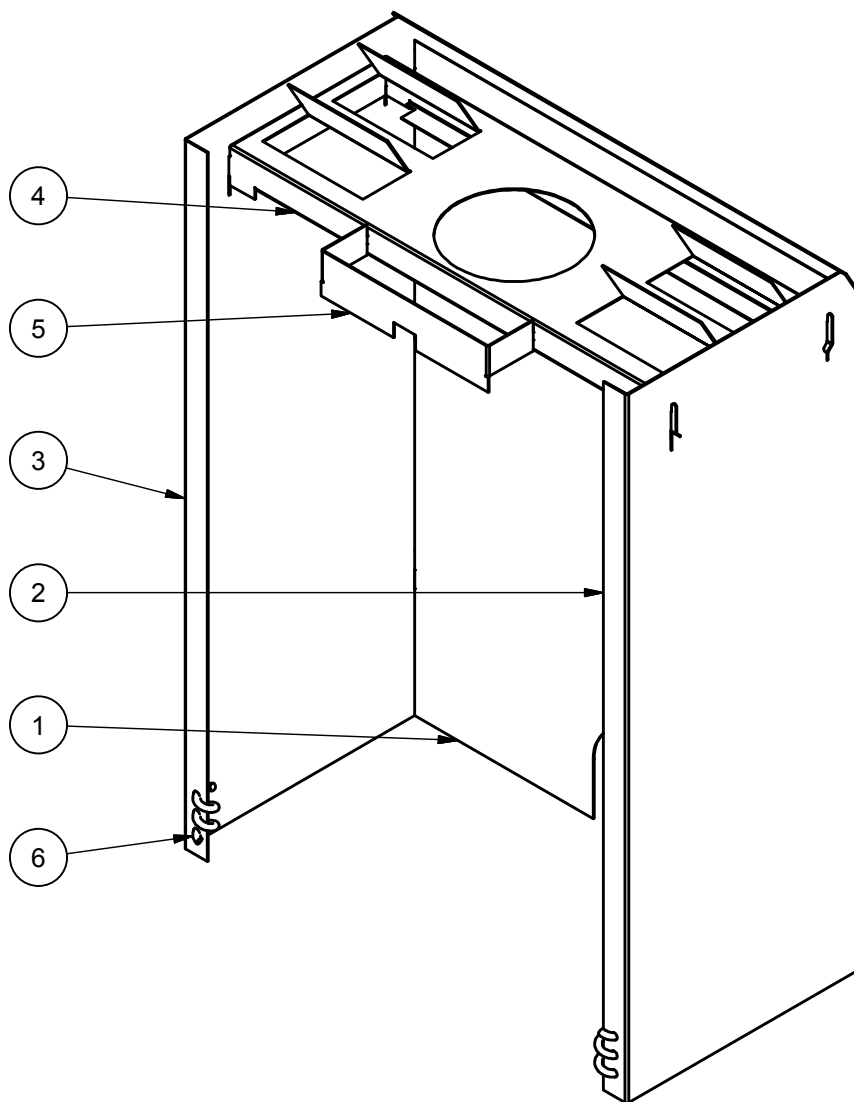
DIMENSION:

AREAL: N/A

STI: C:\Working Folder\Designs\Scan 5002\25002901.iam

Scan A/S
DK-5492 Vissenbjerg©





STYKLISTE

POS	TEGN	BESKRIVELSE	M3 NR.	DATO	STK
1	15002001	Heat shield, rear		20-04-2017	1
2	15002002	Heat shield, right		31-05-2017	1
3	15002003	Heat shield, left		31-05-2017	1
4	15002004	Heat shield, top		12-06-2017	1
5	15002005	Heat shield, top part		10-05-2017	1
6	91010087	Sort strikket glassnor Ø8	10004744	07-06-2017	2

Stove: Scan 5002	Name: Heat shield, assembly	Date: 12-06-2017	Drawing number: 15002921
Material:		Constructed /Changed by: sr	
Articlenumber:	Weight: N/A	Area: N/A	SCAN A/S DK-5492 Vissenbjerg©
Path: C:\Working Folder\Designs\Scan 5002\15002921.iam			

